

JAVELIN®

# Card Stacker

Large input hopper

J310 / P310 / K300



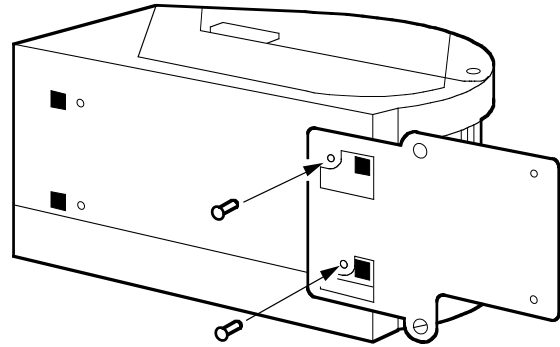
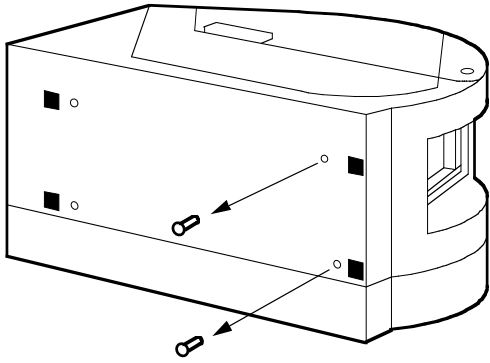
**J A V E L I N**

---

# Setup

## Fixing stacker base to printer

1. Turn your printer off, remove all cables and gently lay your printer on its back.



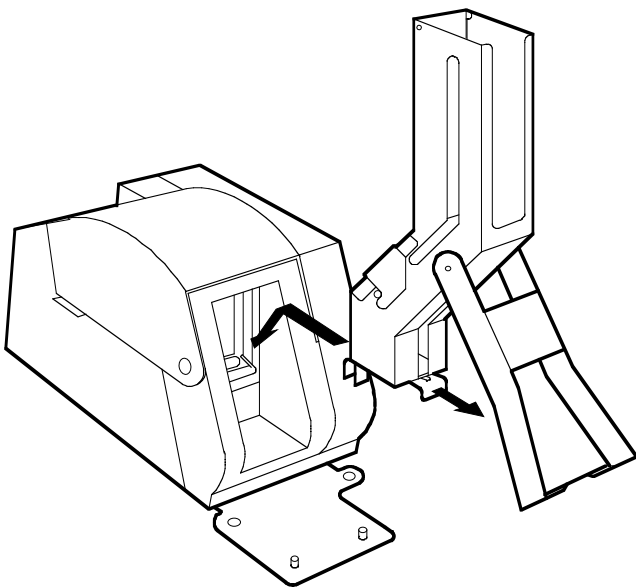
A. Remove the 2 screws near the back feet.

B. Fix the stacker base to the underside as illustrated using the supplied screws\*.

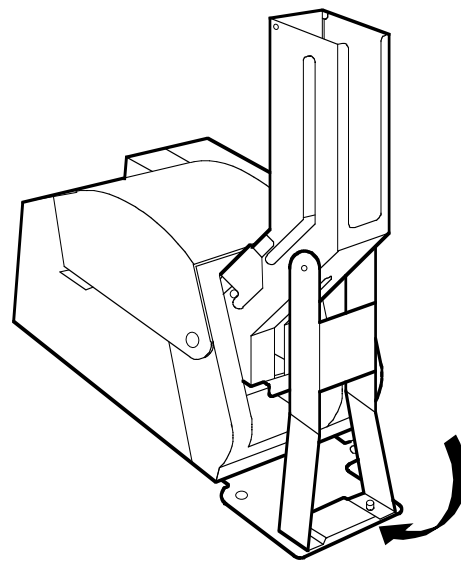
\***IMPORTANT!** Do not use the screws removed from the printer.

2. Gently return your printer to its upright position and reconnect cables.

## Fixing stacker to printer

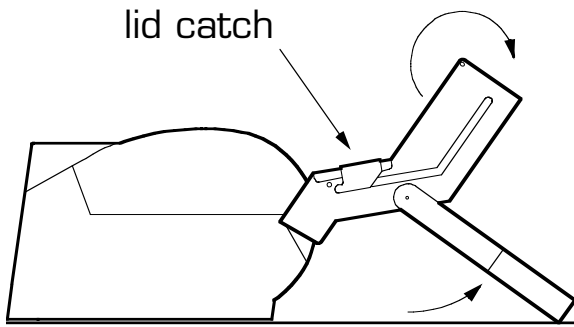


1. Slide out feeder lock and position stacker onto bar.  
Push feeder lock to secure stacker.

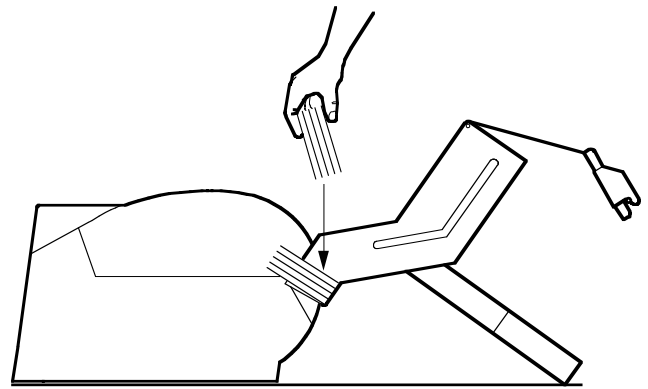


2. Rotate stacker leg and position over studs on base.

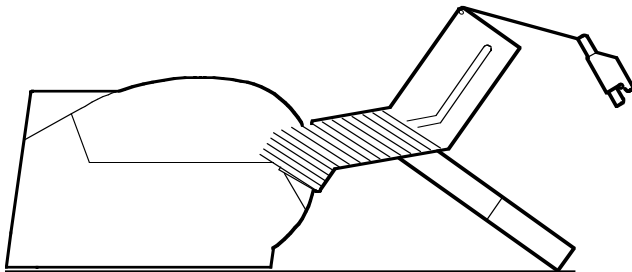
# Loading cards



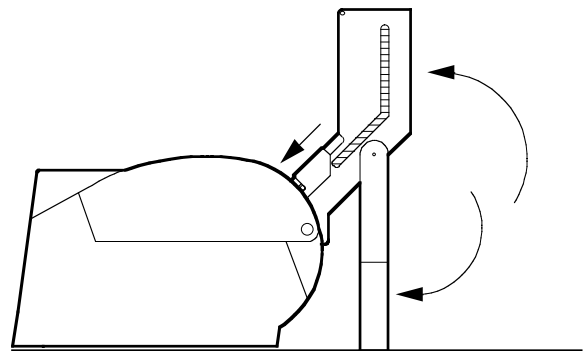
1. Lift stacker legs off base and rotate stacker back. Slide open lid catch and rotate lid open.



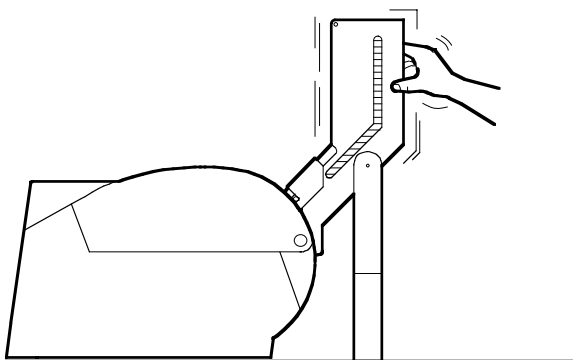
2. Load about 30 cards (only) into bottom of stacker. Ensure cards fall forward, towards printer.



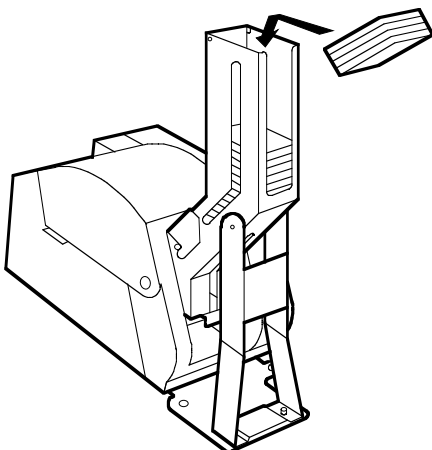
3. Add more cards, ensuring they all lean forward.



4. Close lid, pushing the cards into position. Slide lid catch to lock lid. Rotate stacker into upright position and locate stacker legs over studs on base.



5. Gently rock stacker to ensure all cards drop into position ready for printing.



## Loading cards during printing

To load cards during printing, feed a stack of about 50 cards through top of stacker.



**For Support in Europe, Middle East, Africa and Asia Pacific**

NBS Technologies  
7 Byfleet Technical Centre  
Canada Road  
West Byfleet  
Surrey KT14 7NB  
United Kingdom

Tel: +44 1932 351531  
Fax: +44 1932 351382  
Email: [technical.support@nbstech.com](mailto:technical.support@nbstech.com).

**For Support in North and South America**

NBS Technologies  
70 Eisenhower Drive  
Paramus  
New Jersey  
United States 07652

Tel: +1 201 845 7373  
Fax: +1 201 845 4528  
Email: [ctctechsup@nbstech.com](mailto:ctctechsup@nbstech.com)  
Web: [www.nbstech.com](http://www.nbstech.com)