

JAVELIN®

Card Stacker

Large input hopper

J330

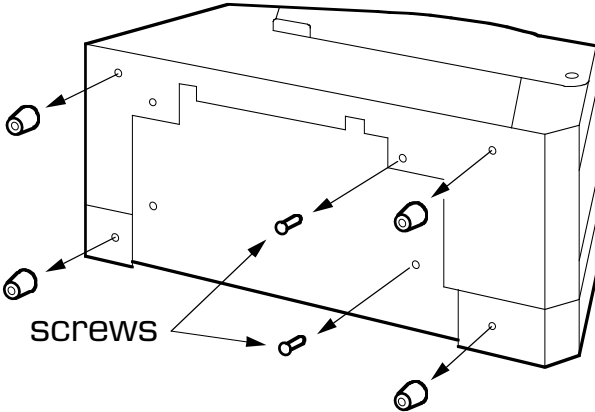


J A V E L I N

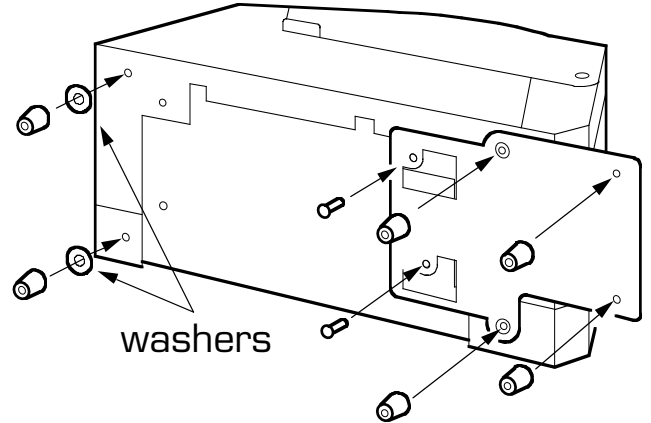
Setup

Fixing stacker base to printer

1. Turn your printer off, remove all cables and gently lay your printer on its back.



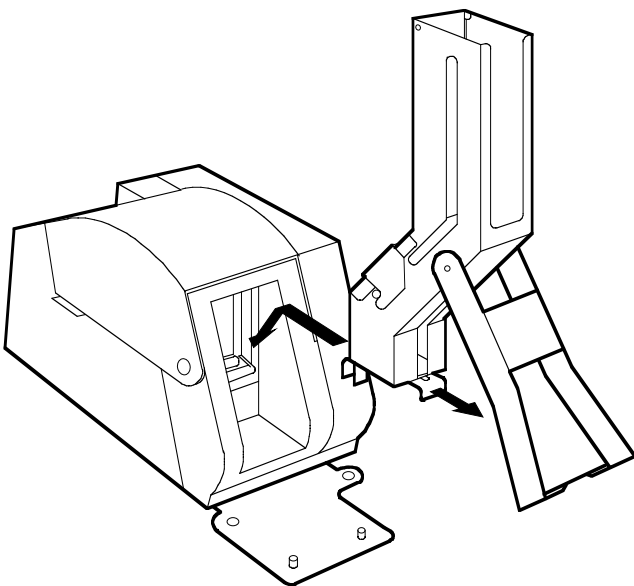
- A. Remove all the feet and the 2 screws as illustrated.



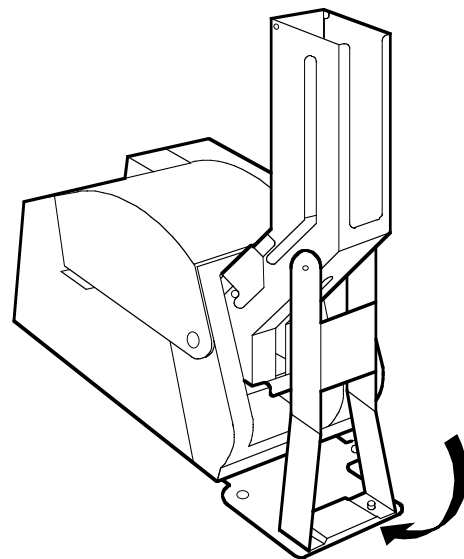
- B. Fix stacker base to the underside using the supplied screws. Screw 4 feet to the stacker base. Screw 2 feet (supplied) to the printer using the supplied washers.

2. Gently return your printer to its upright position and reconnect cables.

Fixing stacker to printer

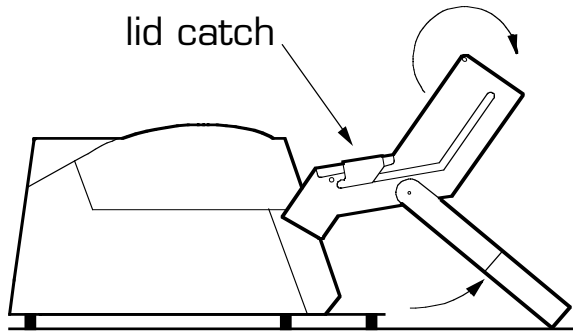


1. Slide out feeder lock and position stacker onto bar. Push feeder lock to secure stacker.

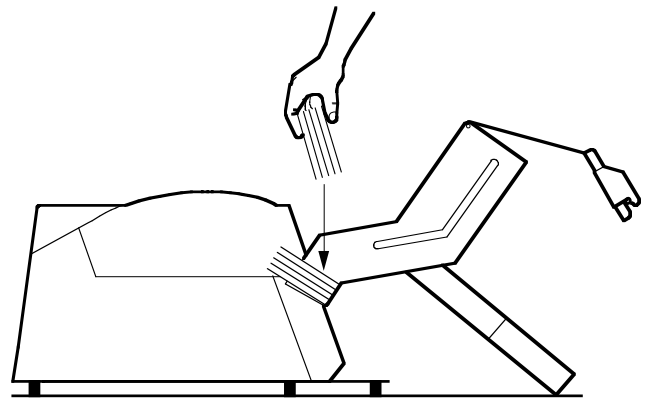


2. Rotate stacker leg and position over studs on base.

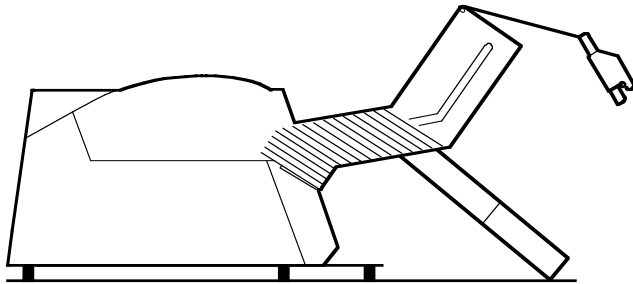
Loading cards



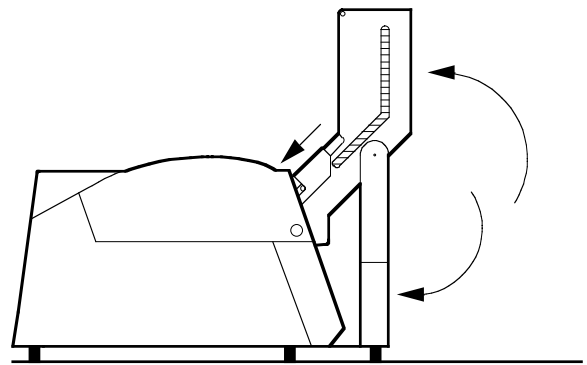
1. Lift stacker legs off base and rotate stacker back. Slide open lid catch and rotate lid open.



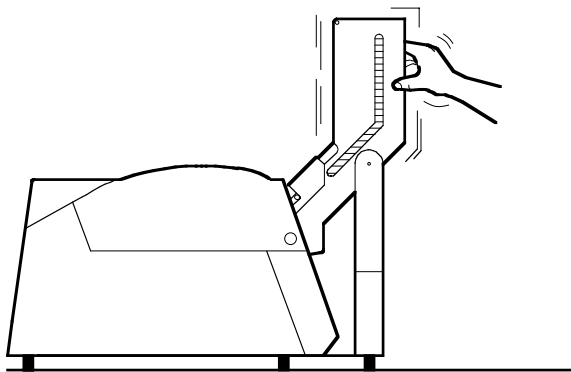
2. Load about 30 cards (only) into bottom of stacker. Ensure cards fall forward, towards printer.



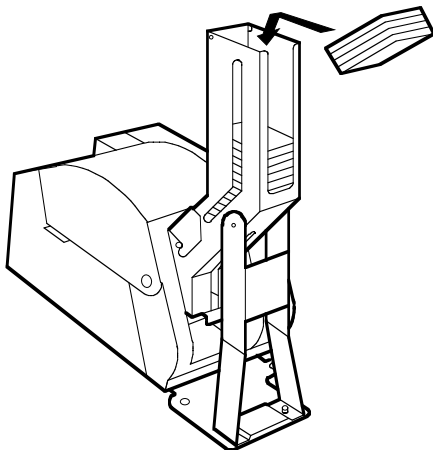
3. Add more cards, ensuring they all lean forward.



4. Close lid, pushing the cards into position. Slide lid catch to lock lid. Rotate stacker into upright position and locate stacker legs over studs on base.



5. Gently rock stacker to ensure all cards drop into position ready for printing.



Loading cards during printing

To load cards during printing, feed a stack of about 50 cards through top of stacker.



For Support in Europe, Middle East, Africa and Asia Pacific

NBS Technologies
7 Byfleet Technical Centre
Canada Road
West Byfleet
Surrey KT14 7NB
United Kingdom

Tel: +44 1932 351531
Fax: +44 1932 351382
Email: technical.support@nbstech.com.

For Support in North and South America

NBS Technologies
70 Eisenhower Drive
Paramus
New Jersey
United States 07652

Tel: +1 201 845 7373
Fax: +1 201 845 4528
Email: ctctechsup@nbstech.com
Web: www.nbstech.com