

Cleaning

In order to maintain printer performance, it is important that it is cleaned regularly.

Refer to user's manual chapter 4 for cleaning procedures.

Maintenance

It is very important to maintain your Javelin card printer properly according to the instructions provided in the user's manual.

If you have any difficulty with your new Javelin card printer and have not been able to find a solution in the user's manual, please contact your dealer or visit our website: **www.nbstech.com**

How to return your printer

It is very important that all packing material is safely kept in case you need to move or re-ship the printer. Be sure the complete packing material is stored in a dust free environment.

Remove printer ribbon cartridge and card cleaning cartridge prior to packaging the printer for shipment and place them back in the dedicated plastic bags and areas in the printer box.

Before returning the printer to your dealer or to NBS, please refer to Appendix D of the user's manual.

Thank you for choosing the JAVELIN® card printer!



J210i/J205 GS
September 2004

JAVELIN® J210i
Colour Card Printer
and

JAVELIN® J205
Monochrome Card Printer

Quick Start!

Before starting to work with your new JAVELIN® card printer, please refer to this Quick Start guide. For more complete information regarding all aspects of your printer's operation, please refer to the printer user's manual on the CD rom.



J A V E L I N

www.nbstech.com

Setup

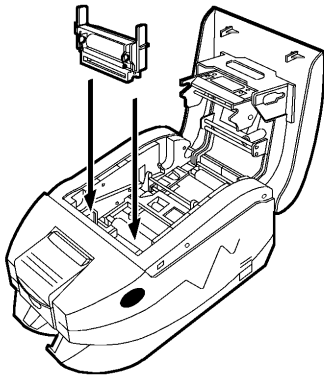
1. Unpack your JAVELIN® card printer

After unpacking your Javelin card printer, make sure the following items are included:

- Power cable
- Interface cable
- CD rom
- Ribbon cartridge
- Cleaning kit
- Cleaning cartridge
- Quick Start guide (this document)

If any items are missing, please contact your dealer.

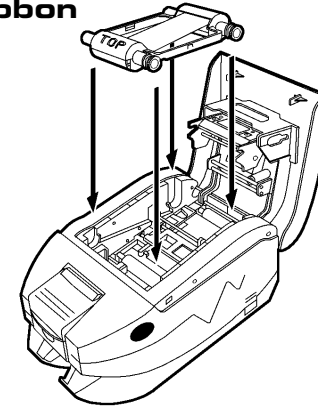
2. Install card cleaning cartridge



Open lid by pressing the cover release buttons on the sides of your printer. The card cleaning cartridge is packed separately from the printer in a protective plastic bag. Carefully remove and install cartridge into printer following the rail guides, line up arrows. Ensure the assembly locks in place.

Refer to user's manual chapter 2 for more information.

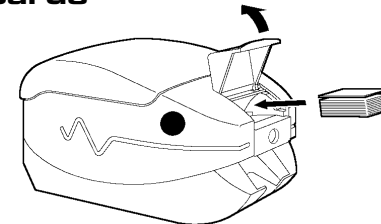
3. Loading ribbon



Open lid by pressing the cover release buttons on the sides of your printer. Install ribbon cartridge into the slots and gently press down to engage. Close lid securely.

Refer to user's manual chapter 2 for more instructions.

4. Loading cards



First shuffle a stack of new cards to reduce any electrostatic charge. Always handle cards by their edges. Close card cover before printing.

Refer to user's manual chapter 2 for more instructions.

5. Indicators

	ON	FLASHING
Green	POWER ON READY	RECEIVING DATA PROCESSING
Orange	OUT OF RIBBON OR CARD	COMMUNICATION ERROR CLEANING
Red	HARDWARE OR FATAL ERROR Refer to troubleshooting	